

Features

Over-Current Protection

Short-circuit Protection
100%Hi-pot & ATE(Chroma)Tested

100%Burn-in under(45°C)

Low Ripple/Noise
MTBF 50000 HRS At 25°C

LVD authentication

DoE VI and CoC Teir 2 VI Efficiency
Regulations Compliance

Cispr 22 CLASS B, VCCI CLASS B,
FCC Part15 CLASS B, Compliance

PA6060/PA5060/PA2060 Series Wall Mount -USB/QC3.0/Type-C



-USA-Flip Plug-In

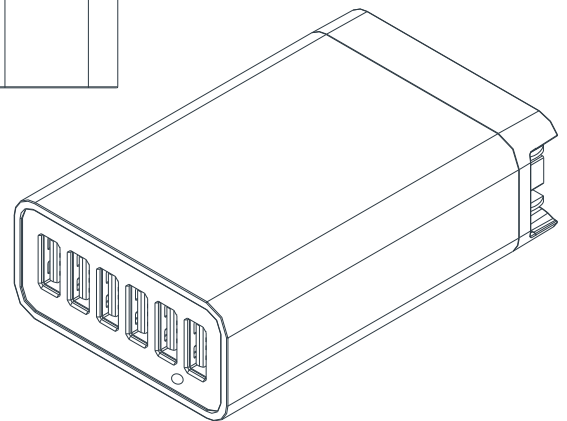
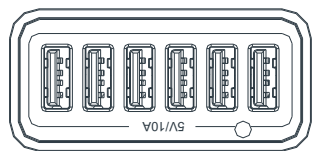
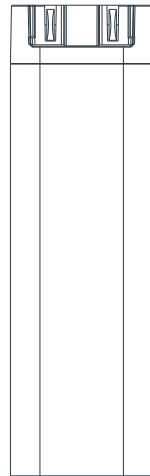
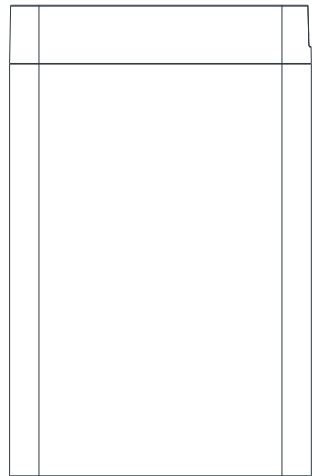
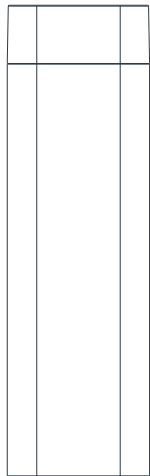
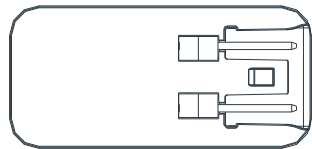
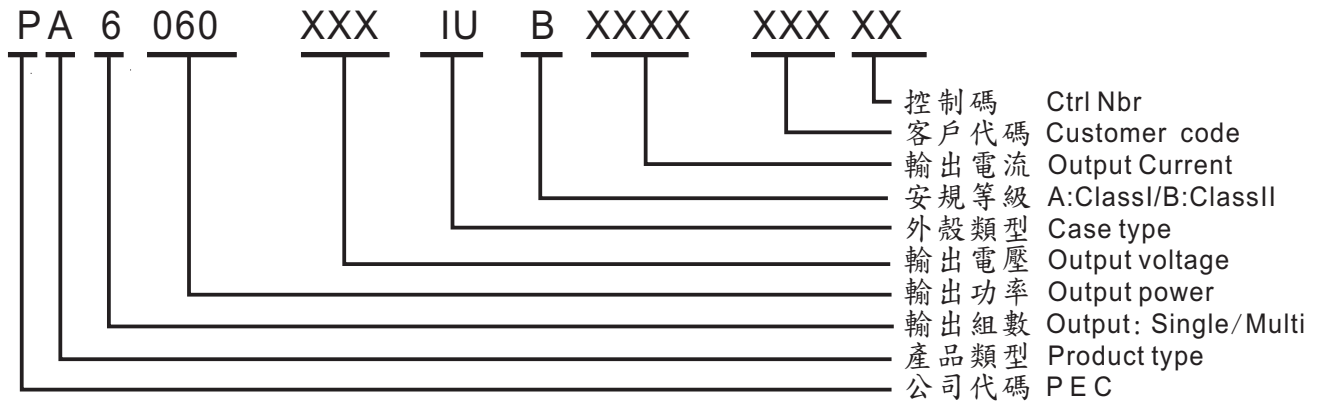


-Interchangeable Plug-In

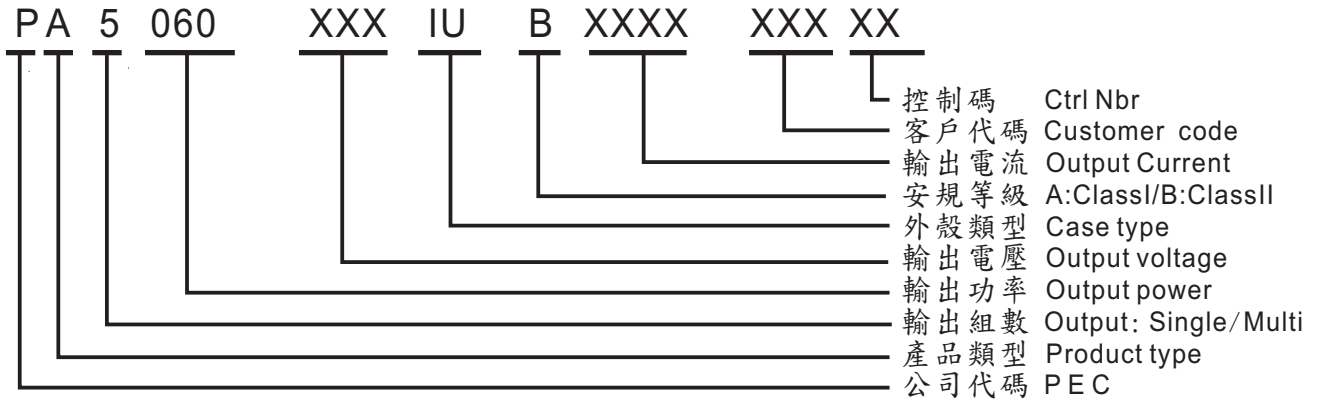
Specification

Model No	PA6060-XXXYYYYZZZ	PA5060-XXXYYYYZZZ	PA2060-XXXYYYYZZZ
Transformer	POT3014-1	POT3014-1	POT3014-2
Item	POT3014-1	POT3014-1	POT3014-2
Output Voltage	5.0V	5.0V+QC3.0	5.0V+Type-C
Output Current(Max.)	10A	9.45A	5.45A
Output Power(Max.)	50W	53W	61W
Distribution of output	6 Port USB(5V2.4A)	4 Port USB(5V2.4A) QC3.0(5V2.4A;9V2.0A;12V1.5A)	1 Port USB(5V2.4A) TypeC(5V3.0A;9V3.0A;15V3.0A;20V3.05A)
Input Voltage	AC90~264V		
Input Frequency	47~63Hz		
Input Current	1.8A Max		
Inrush Current	60A Max		
Line Regulation	1% Max		
Ripple&Noise	1% Max		
Load Regulation	5% Max		
Efficiency	DoE VI and Coc Teir 2 VI		
Operating Temperature	0~40°C		
Storage Temperature	-20~85°C		
Short-circuit Protection	Auto Recovery		
Safety Standard			
EMC(EMI/EMS)			

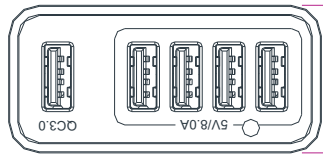
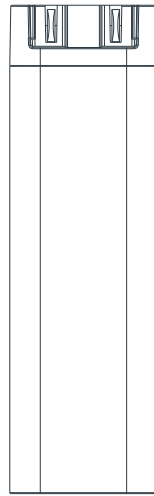
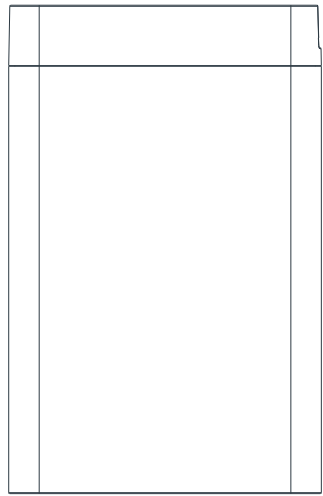
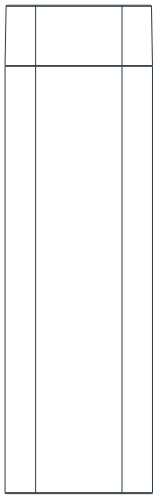
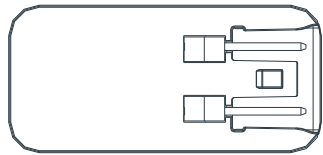
機種編碼 Products code:



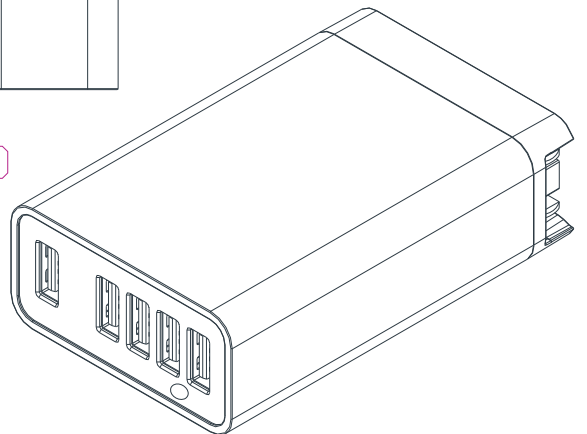
機種編碼 Products code:



- Ctrl Nbr
- Customer code
- Output Current
- A:ClassI/B:ClassII
- Case type
- Output voltage
- Output power
- Output: Single/Multi
- Product type
- PEC



29.0



機種編碼 Products code:

